



# VP700

Colour Label Printer

## VP700 LABEL REWINDER (03XL)

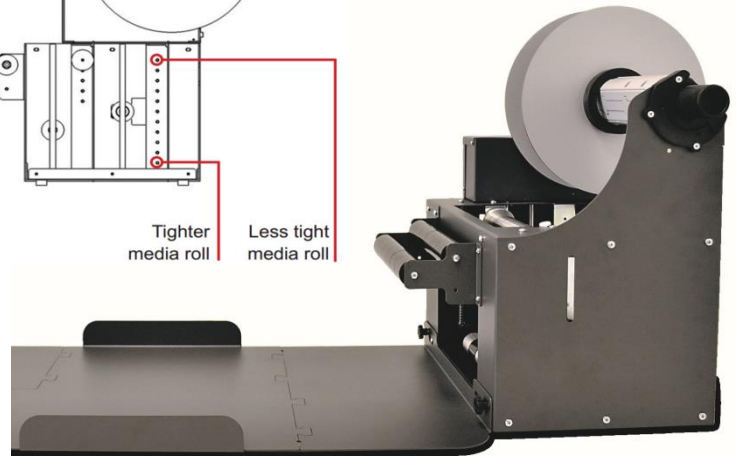
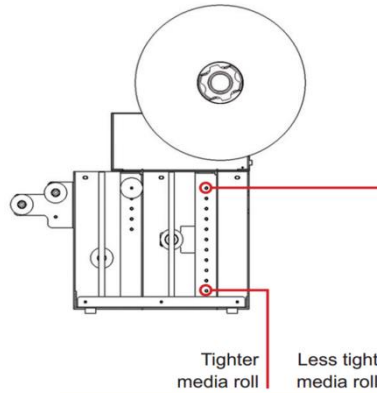
Our **VIPColor RW03XL** Rewinder is the perfect companion to VP700 Colour Label Printer. Thanks to its revolutionary design and solidly manufactured quality, the RW03XL is perfect for **high usage and heavy duty jobs**.

Roll diameter and weight will never be a problem again! The **VIPColor RW03XL** can handle labels up to 240mm wide, and rewind rolls with OD up to 300mm. Rolls are rewinded onto/from a 76mm core holder.

Thanks to the clutch system in place, it is possible to obtain **different levels of roll tightness**. The below image will help you figure out the level you want the system to rewind your rolls.



Model **VP-700-RW03XL**  
\* Includes the printer plate



### Technical Specifications:

**Core:** 76mm Fixed Core Holder

**Roll Diameter up to:** 300mm

**Outer Disc included**

**Label Width up to:** 240mm

**Speed:** it is automatically adjusted through the tension arm in order to work smoothly with VP700 at 6 or 12 ips.

**Power Supply:** Ext. Auto-switching 100/240VAC - 2,5A at 24V

**Weight:** 28 Kg

**Box:** 80x60x70 cm

**Agency Certification:** CE, FCC, RoHS compliant



**More information at:**

**Web:** <http://www.vipcolor.com>

**Email:** [info@vipcoloreurope.com](mailto:info@vipcoloreurope.com)

**Tel. :** +34 93 588 3018